

BORAL BRICKS
Build something great™



Downpipe Maxi

UTILITY BRICK WESTERN AUSTRALIA



BORAL

Downpipe Maxi

Changing the face of home building.

Home builders and designers can now benefit from the latest innovation from Boral Bricks. The Downpipe Maxi.

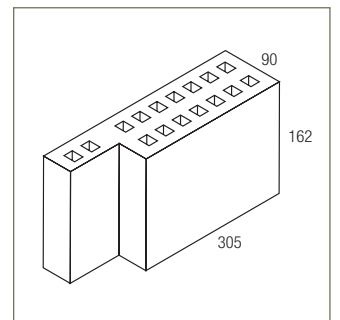
The Downpipe Maxi has been developed, in conjunction with one of Perth's leading builders – Brian Burke Homes. The Downpipe Maxi enables standard downpipes to be concealed – simply and economically – within the brick cavity. With wider coring for easy modification, the Downpipe Maxi encapsulates downpipes without the added hassle of cutting and altering on site.

The use and benefit extends to other structural systems such as chasing and building around steel pillars and the multi-purpose Downpipe Maxi is designed to be used with our standard 305x90x162mm two-course internal bricks.

The Downpipe Maxi is another great example of joint innovation between Boral Bricks and forward thinking builders.

SPECIFICATION	
Product Information	Cored
Work Size (mm)	305 x 90 x 162mm
Dimensional Category	DW1
Approximate Unit Weight (kg)	5.2 (range 5.0 - 5.4)
Approximate No. per m ²	18.5
Nominal Wall Surface Density (kg/m ²)	111 (rendered 13mm one side - 135)
No. per pack	132
Pack Weight (kg)	690
Pack Dimensions (mm)	920 x 715 x 980mm
Characteristic Unconfined Compressive Strength (MPa)	>12
Cold Water Absorption (%)	<12
Dry Density (kg/m ³)	1,170
Coefficient of Expansion (mm/m)	<0.6
Durability Class	General Purpose
Initial Rate of Absorption (kg/m ² /min)	<1.8 (on face shell)
Potential to Effloresce	Nil to Slight
Core Percentage (%)	>30

To find out more about the Downpipe Maxi contact your Boral Bricks Representative on **13 15 40** or visit www.boral.com.au/bricks



Note:

- Products with increased compressive strength can be manufactured to order. Contact your Boral Bricks Sales Advisor for further information.
- Constant quality testing is carried out in Boral Bricks NATA registered laboratory (Reg No 1637).
- All physical testing is carried out in accordance with Australian Standards AS/NZS4455 and AS/NZS4456.
- Variations may occur in the physical properties quoted. Should particular specifications be required please contact Boral Bricks for further information.
- Durability classification based on product knowledge under local (Perth, Western Australia) climatic conditions.
- Unit weight and dry density quoted are approximate values and can vary.
- This technical information is subject to change without notice.



Boral Information

To locate your nearest Boral stockists, to receive brochures or to learn more about our products call 13 15 40.

Boral Stockists

Your local Boral stockist carries a full range of our brochures and offers expert, helpful advice. For your nearest Boral stockist call 13 15 40.

Boral Website

To see the full range of Boral products, learn about the latest trends and themes, view inspiring projects and more, visit:
www.boral.com.au/bricks

