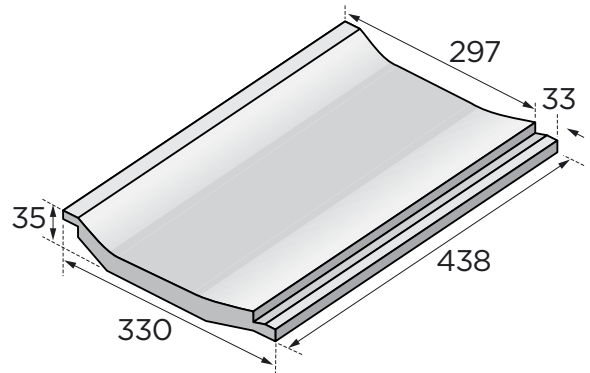


### ROOF TILES

# Harmony Shingle



#### PRODUCT INFORMATION

Work Size (mm)	438 x 330 x 35
Approximate Unit Weight (kg)	5.2
Approximate Tile Coverage (per m <sup>2</sup> )	10
Tiles Per Pallet	300
Approximate Pallet weight (kg)	1610
Minimum Roof Pitch	18° (with sarking) 22° (without sarking)
Recommended bond	Straight Bond
Head lap Requirement (mm)	86-110
Surface	Fused or integral colour and clear water based sealer coat
Colours	Artist's Ink Frost Lily Oceanic Rock Salt Stellar

This technical information represents average properties obtained from production runs. If specific results are required, samples should be taken from current production runs. Manufactured to exceed the minimum requirements of AS2049 2002. Roof tile specifications as per AS2050:2018. Information subject to change without notice.

If you require specific or improved product specification, please contact your Sales Representative.



For more information  
about Midland Brick



Call us on **13 15 40**



Visit our website at [midlandbrick.com.au](http://midlandbrick.com.au)



Drop into a Midland Brick Selection Centre or Reseller



**DISCLAIMER.** The information presented herein is supplied in good faith and to the best of our knowledge was correct at the time of preparation. No responsibility can be accepted by Midland Brick, its staff or its agents for any errors or omissions. Users are advised to make their own determination as to the suitability of this information in relation to their particular purposes and specific circumstances. Since the information contained in this document may be applied under conditions beyond our control, no responsibility can be accepted by Midland Brick, its staff or its agents for any loss or damage caused by any person acting or refraining from action as a result of this information.