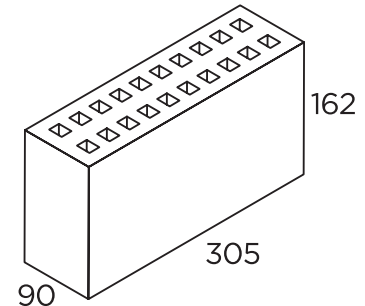


UTILITY BRICK

Maxi Ones / DCVC



PRODUCT INFORMATION

Work Size (mm)	305 x 90 x 162
Dimensional Category	DW0
Approximate Unit Weight (kg)	4.7-5.5
Approximate Bricks Per m ²	18.5
Bricks Per Pack	132/138
Pack Weight (kg) <i>includes+3% moisture</i>	637-782
Unconfined Compressive Strength (MPa)	>7
Cold Water Absorption (%)	<12
Durability Class	General Purpose
Potential to Effloresce	Slight
Susceptibility to Lime Pitting	Slight
Core/Void Percentage	<40
Fire Resistance - Insulation. Unrendered (minutes)	30

This technical information represents average properties obtained from production runs. If specific results are required, samples should be taken from current production runs. AS/NZS 4456 and 3700 is used as applicable. Durability classifications are based on product knowledge under local (Perth) climatic conditions. Information subject to change without notice.

If you require specific or improved product specification, please contact your Sales Representative.



For more information
about Midland Brick



Call us on **13 15 40**



Visit our website at midlandbrick.com.au



Drop into a Midland Brick Selection Centre or Reseller



DISCLAIMER. The information presented herein is supplied in good faith and to the best of our knowledge was correct at the time of preparation. No responsibility can be accepted by Midland Brick, its staff or its agents for any errors or omissions. Users are advised to make their own determination as to the suitability of this information in relation to their particular purposes and specific circumstances. Since the information contained in this document may be applied under conditions beyond our control, no responsibility can be accepted by Midland Brick, its staff or its agents for any loss or damage caused by any person acting or refraining from action as a result of this information.