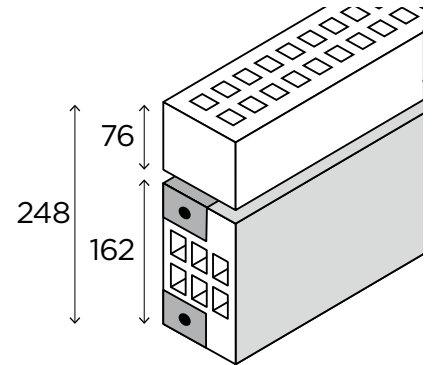
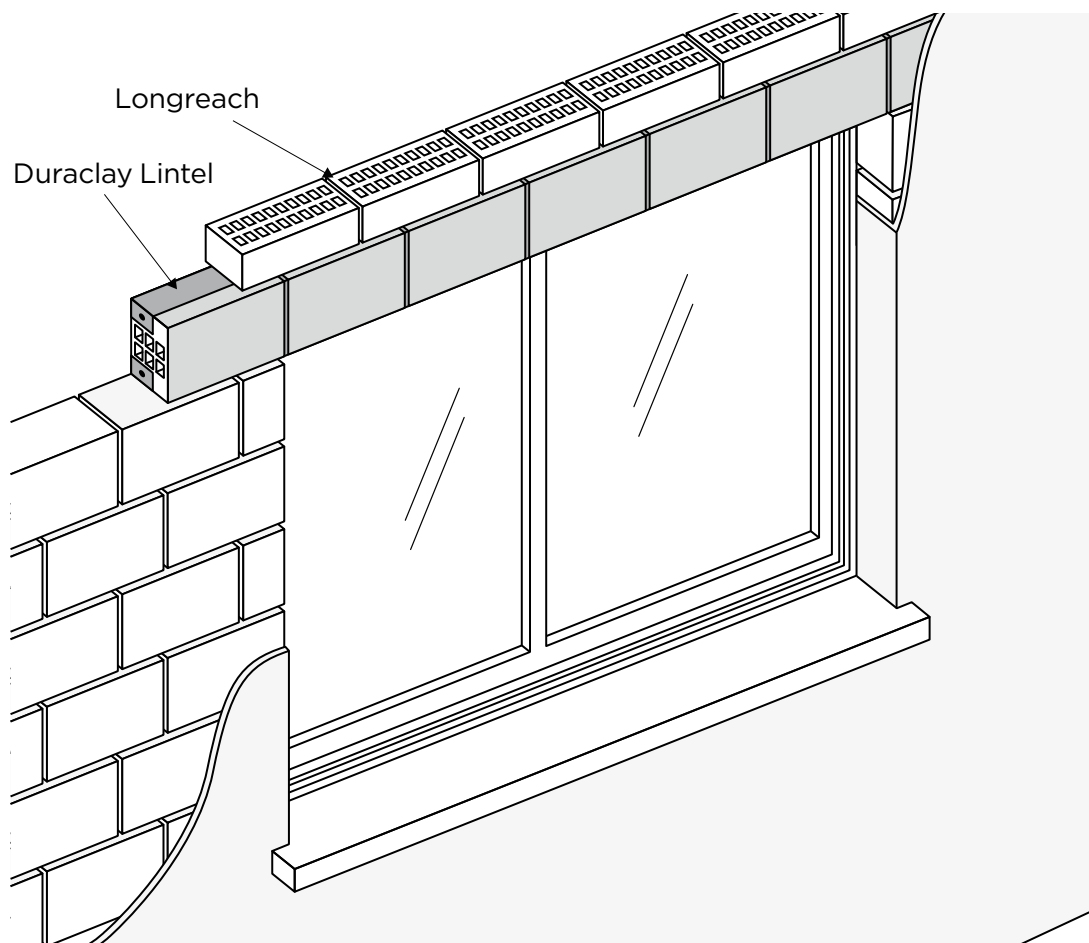


UTILITY BRICK

Duraclay Lintel - Galvanised



The Midland Brick reinforced composite lintel can span opening sizes up to 2450mm with minimal deflection at specified design loads and should reduce your construction and maintenance costs. Designed for internal use, it will allow for improved key to plastering as there is no difference in material movement compared to steel or concrete lintels, reducing the likelihood of cracking.



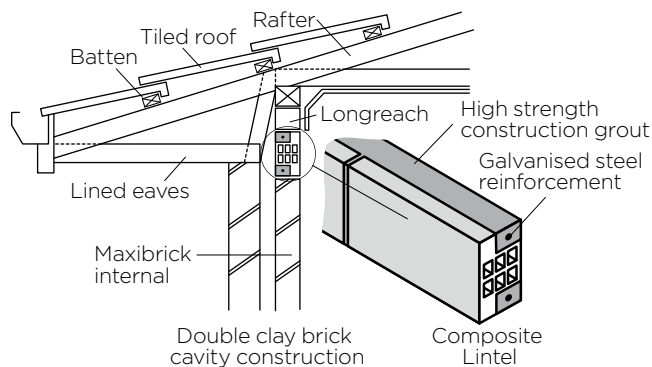
For more information
about Midland Brick

-  Call us on **13 15 40**
-  Visit our website at **[midlandbrick.com.au](https://www.midlandbrick.com.au)**
-  Drop into a Midland Brick Selection Centre or Reseller

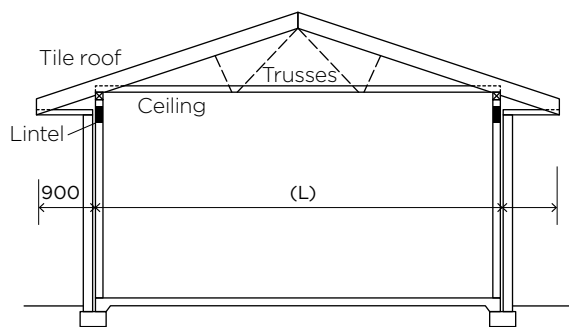
DuraClay Lintel - Galvanised

VERSION: DEC2023

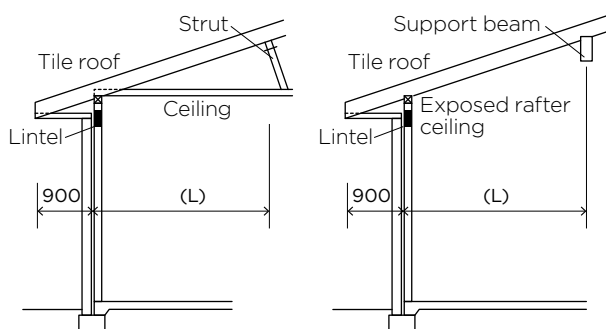
Typical Roof Configuration



STANDARD CEILING AND PITCHED ROOF



TRUSSED ROOF



RAKING CEILING & PITCHED ROOF

Allowable Roof Span

Calculations are based on a tiled roof at 22.5° pitch and 900mm eaves with timber rafters or trusses and battens and a suspended plasterboard ceiling giving a total load of 1.00kPa at a maximum opening of 2450mm. Allowable total load 4.5kN per metre run.

*One course of Midland Brick Longreach (305x90x76mm) must be laid above the Lintel.

SPAN CHART

Size of opening (mm)	1,500	1,800	2,100	2,450
Maximum length of roof (mm)	19,500	11,200	9,400	6,400

STANDARD LINTEL LENGTHS

No. of Clay Bricks in Lintel	Overall Lintel Length (mm)	Lintel Weight (kg) approx
3	940	27
4	1,250	35
5	1,570	45
6	1,890	53
7	2,200	62
8	2,500	72
9	2,830	81
10	3,140	89

Standard Construction & Placement Detail

- Allow for a bearing of at least 230mm
- Bed the lintel on a mortar joint
- Ensure the clay face of the lintel faces into the room as this will allow a better plastering key.
- Ensure the window doesn't take the weight of the lintel. Up to 5mm clearance above the window head is recommended.
- Ensure the window head ties are bedded into the bed joint above the lintel.

This technical information represents average properties obtained from production runs. If specific results are required, samples should be taken from specific production runs. AS/NZS 4456 and 4586 are used as applicable. Information subject to change without notice.

For specific requirements, please contact your Sales Representative.