

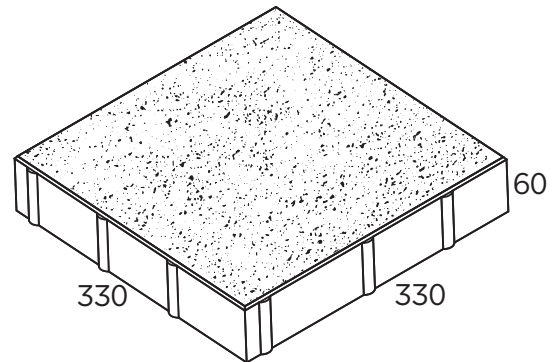
Product Data Sheet

VERSION: JULY 2024

RESIDENTIAL PAVERS

Grandpave 60

GRANITE



PRODUCT INFORMATION

Work Size (mm)	330 x 330 x 60
Dimensional Category	DP1
CMAA Shape Category	Type C
Approximate Unit Weight (kg)	14.2
Approximate Pavers Per m ²	9.1
Approximate Coverage Per Pallet (m ²)	11.87
Pavers Per Pallet	108
Layers Per Pallet	12
Pavers Per Layer	9
Nominal Pallet Weight (kg) <i>includes+3% moisture</i>	1580
Breaking Load (kN) <i>at 28 days</i>	>6
Slip Resistance Category	P5
Potential to Effloresce	Slight
Colours	Arctic Sea Mist Storm Cloud Tundra

This technical information represents average properties obtained from production runs. If specific results are required, samples should be taken from specific production runs. AS/NZS 4456 and 4586 are used as applicable. Information subject to change without notice.

For specific requirements, please contact your Sales Representative.



For more information
about Midland Brick



Call us on **13 15 40**



Visit our website at midlandbrick.com.au



Drop into a Midland Brick Selection Centre or Reseller



DISCLAIMER. The information presented herein is supplied in good faith and to the best of our knowledge was correct at the time of preparation. No responsibility can be accepted by Midland Brick, its staff or its agents for any errors or omissions. Users are advised to make their own determination as to the suitability of this information in relation to their particular purposes and specific circumstances. Since the information contained in this document may be applied under conditions beyond our control, no responsibility can be accepted by Midland Brick, its staff or its agents for any loss or damage caused by any person acting or refraining from action as a result of this information.

© Copyright Midland Brick - all rights reserved 2022